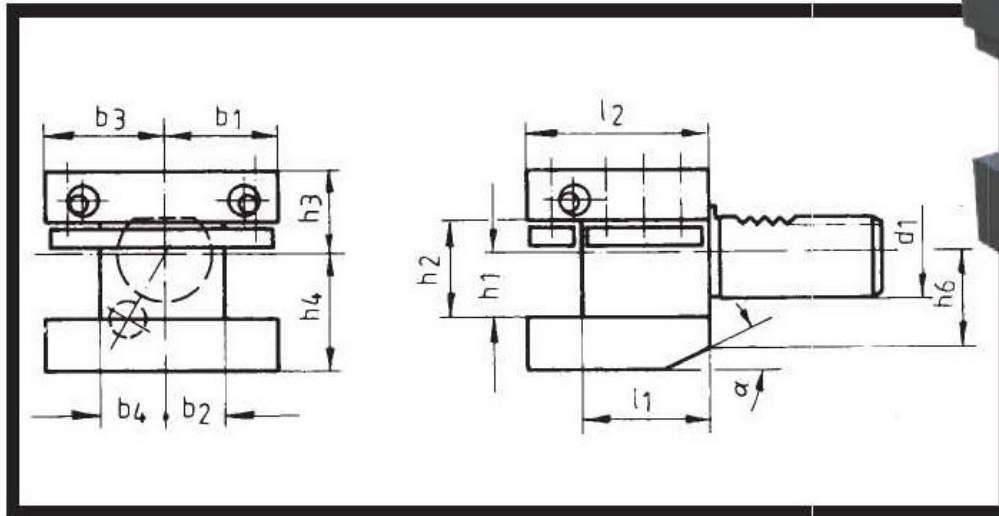


CALL US TOLL FREE TO ORDER:
(800) 423-5145

Square Toolholder – Form D1



PART NUMBER	d_1	h_1 , in	h_1 , mm	b_1	b_2	b_3	b_4	h_2	h_3	h_4	h_6	L_1	L_2	α
CNC86 41.2516	25	$\frac{5}{8}$	16	33	19	33	19	22	25	30	25	34	48	30°
CNC86 41.3020	30	$\frac{3}{4}$	20	35	17	41	23	29	28	38	30	42	60	25°
CNC86 41.4025	40	1	25	42.5	20.5	47.5	25.5	34	32.5	48	42	50	72	30°
CNC86 41.5032	50	1¼	32	50	25.5	55	30.5	41	35	60		60	85	
CNC86 41.6032	60	1¼	32	57.5	32.5	57.5	32.5	41	42.5	62.5		85	110	
CNC86 41.8040	80	1½	40	76	41	76	41	53	55	80		105	140	

Expanding Collets
 Tool Blocks - Collet
 Chucks - Special
 Tooling



ROVI
 PRODUCTS INC.
 RoviProducts.com